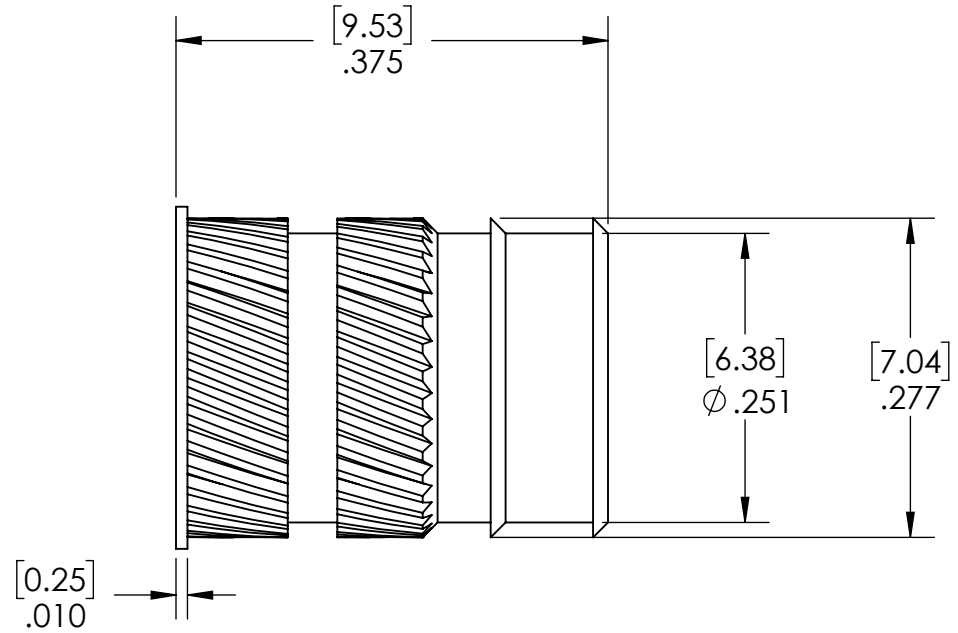
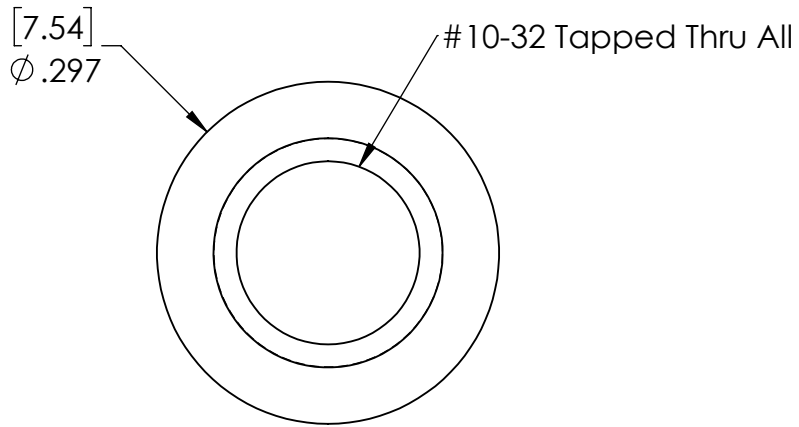
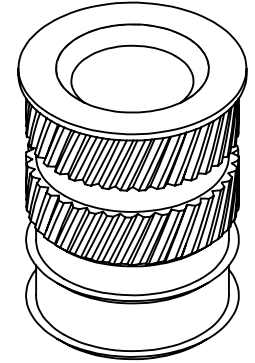


Part #	Material
WCP-0297	Brass

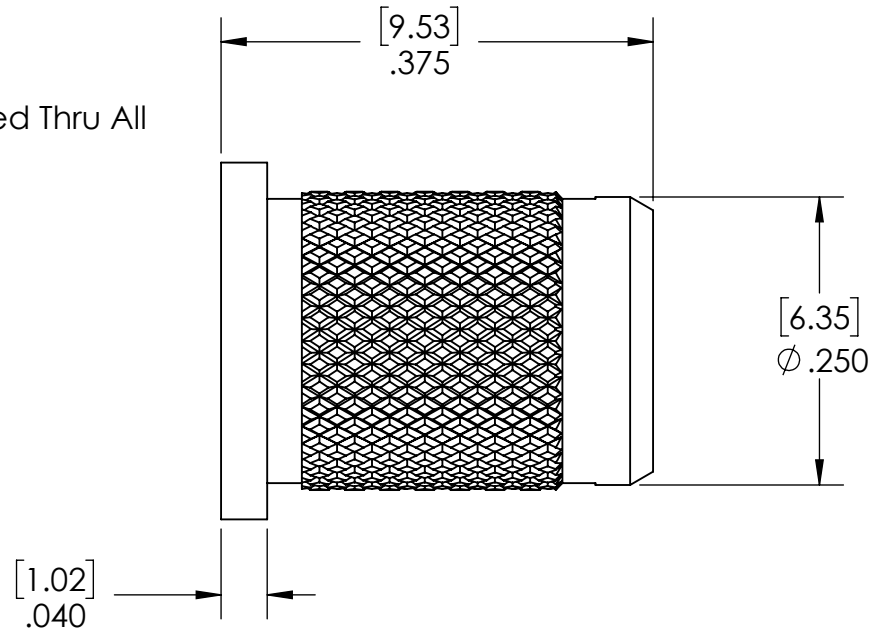
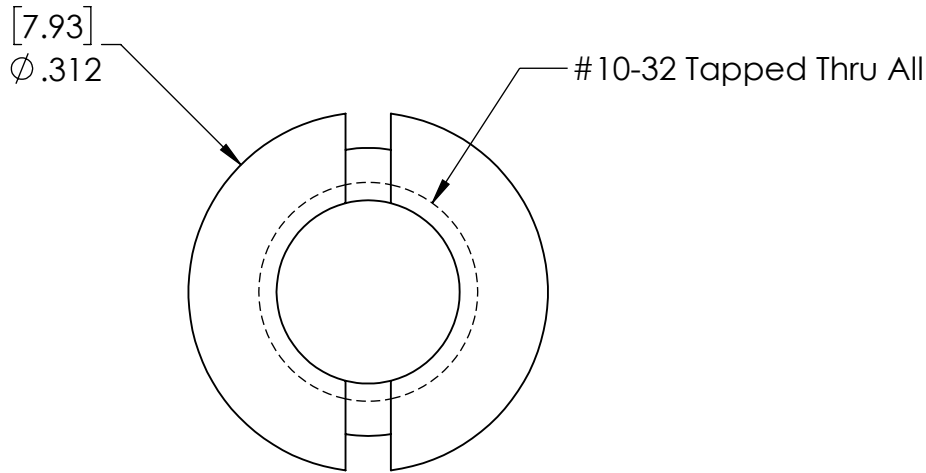
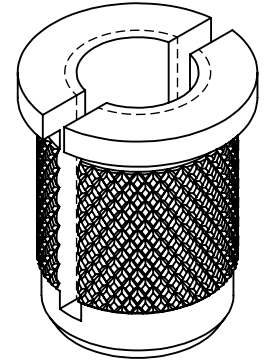
Recommended for .25" holes



Description	HeatSet Insert (Brass, #10-32 x .375")		
Dwg No	Web-3D Printed Inserts		
Project	FIRST Robotics - FRC	Sheet 1 of 1	
Release	12/7/2023	ALL DIMENSIONS ARE IN INCHES [MM].	

Part #	Material
WCP-0469	Brass

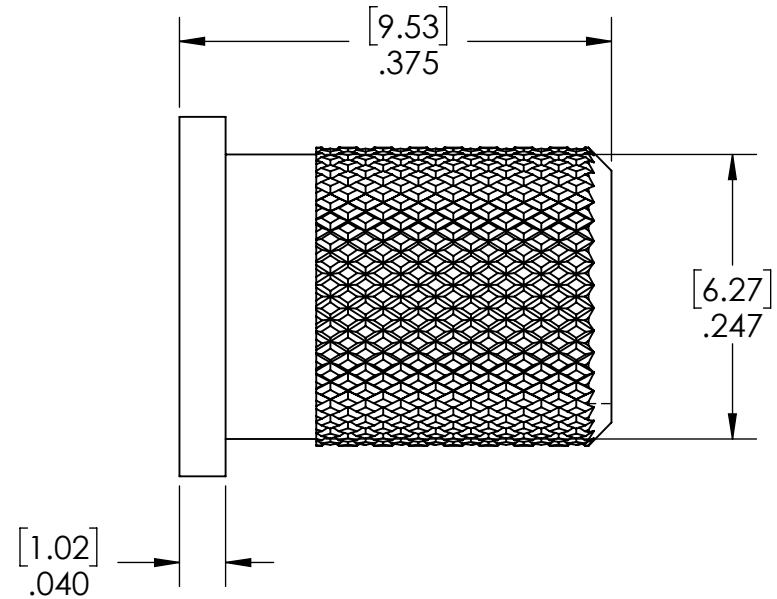
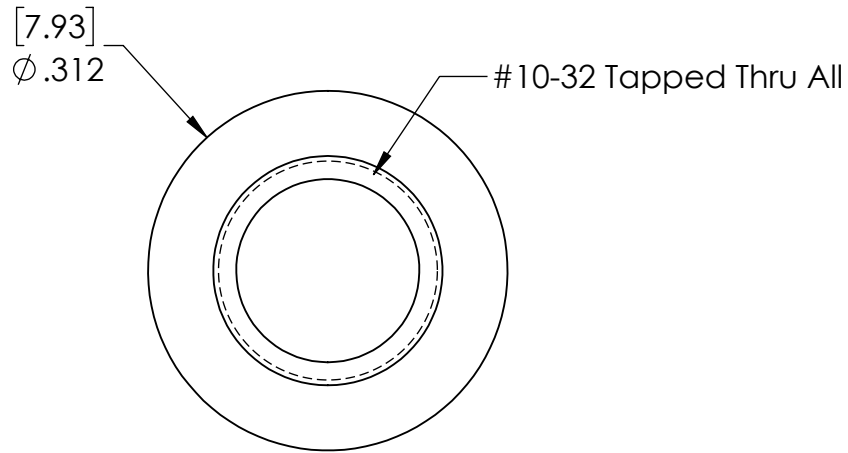
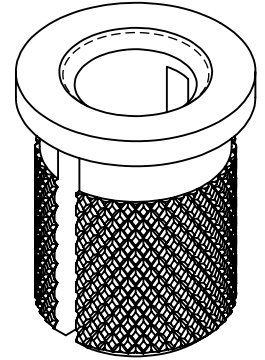
Recommended for .25" holes



Description #10-32 Screw to Expand Insert (Back Side) (Brass)	
Dwg No 3D Printed Inserts	
Project FIRST Robotics - FRC	Sheet 1 of 1
Release 12/7/2023	ALL DIMENSIONS ARE IN INCHES [MM].

Part #	Material
WCP-0470	Brass

Recommended for .25" holes



Description #10-32 Screw to Expand Insert (Front Side) (Brass)	
Dwg No 3D Printed Inserts	
Project FIRST Robotics - FRC	Sheet 1 of 1
Release 12/7/2023	ALL DIMENSIONS ARE IN INCHES [MM].

WWW.WCPRODUCTS.COM